



AMMANN-YANMAR S.A.S.

*25, Rue de la Tambourine
F-52100 ST-DIZIER*

*sales@ammann-yanmar.fr
www.ammann-yanmar.fr*

Un Point c'est Tout - Photos non contractuelles. Imprimé en France.



Compact Machines

Mini-Excavators **YANMAR**

B15-3 (1600/1500 kg) & **B15-3 EX** (1750/1650 kg)

With cabin or canopy

VARIETY OF APPLICATIONS

The new B15-3 is available with standard or extendable undercarriage (“EX” version).



Flexibility :

- Due to its variable width from 980 to 1320 mm, it allows the B15-3 Ex to work easily on all working sites, from the narrowest areas to the largest ones, and allows to use the total output even on sloping grounds.
- 4 strong steel sections with square shape are mounted at 45° for a better rigidity. No earth deposit on the sliding parts.

Quick extension :

- Hinged blade extensions.
- The extensions are permanently on the blade. No tools are necessary to install them.
- A switch selects the blade moving or the undercarriage extension : the blade lever selects the desired function.



Robustness and stability:

- Long undercarriage (1555mm) for optimum stability.
- Good weight distribution for a reduced ground pressure.
- 2 hydraulic piston travel motors are integrated in the undercarriage with integrated parking brake.



- Double lateral roller supports : less track wear and better stability.

PERFORMANCES AND RENTABILITY

Excellent operation for all types of working areas.



Yanmar TNE Engine :

- Environment friendly : compliant to environment norm 97/68/EC (exhaust emissions).
- Low speed - increased productivity.
- High capacity air filter.
- Heavy duty battery.
- Quiet.

Hydraulic circuit :

- Hydraulic circuit utilising a variable flow double piston pump and a gear pump.
- Combined flow from 3 pumps.
- Possibilities of precise and simultaneous movements without loss of speed. Priority given to the arm.



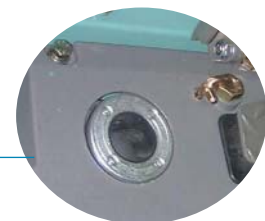
- Use of a high performance engine and a modern hydraulic circuit : better productivity, less fuel consumption, less noise, less pollution.



Working equipment :

- Auxiliary circuit with 2-way valve for use of various accessories : breaker, tilting dith cleaning bucket, shear, earth drill,...
- Stop valve for direct return to the tank.
- Pedal lock for use with manual hydraulic tools.
- Long arm as option allowing high digging depth (2300 mm).

2nd speed command by switch button.



COMFORT AND SAFETY

Comfort and safety for the operator : an absolute priority on the Yanmar mini-excavators :

Ergonomic and wide operating position :

- Luxurious adjustable drivers seat : forward adjustment, backrest inclination adjustment and weight adjustment.
- Well organised pilot system : joysticks, armrests and travelling levers equipped with pedals.
- Large safety levers (only one in the cabin version) on the access to operating positions : locks working movements and travelling levers.
- Lockable tools and documentation box under the seat.



Modern and convenient monitor.

Cabin version :

- Windscreen in 2 parts stored overhead. Sliding side windows.
- High comfortable and adjustable textile seat with headrests.
- Wide access to the operating position.
- Defroster, heater, ventilation, inside lighting, windscreen washer.
- Optional radio facilities.
- Additional working lamp on the upper carriage.

Optimum safety :

- Canopy and cabin fully compliant to safety norms : ROPS (Roll Over Protective Structures) and FOPS1 (Falling Object Protective Structures).
- Progressive hydraulic pilot system for more smoothness and precision.
- Maximum superb all-round operator visibility.
- Shock absorber on boom cylinder, swing cylinder and travelling motors.
- 4 loading points (canopy or cabin) for safety loading.
- Separated pedals for 3rd circuit and boom swing.
- Possibility of simultaneous movements : boom and swing.
- Robust protections on pedal guards acting as footrests.



ROBUSTNESS AND RELIABILITY

Performance for all working areas and built to resist the most extreme conditions.

Strong and durable :

- Hydraulic hoses to the swing motors protected by steel covers.
- Central guiding of flexibles hoses and use of swivel joints to eliminate twisting problems.
- Flexible hoses protected by external covers.



- Cylinder protection on boom.
- Flexible hoses and other hoses of auxiliary circuit laid out to reduce the risk of wear.



Large cast iron counterweights :

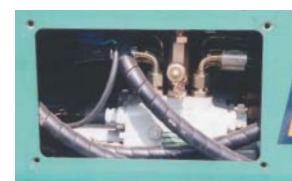
- Protects the rear of the machine .
- Contributes to the balance of the B15-3.

King post well-proportioned mounted on a long axle for more rigidity.



Easier maintenance :

- A large engine hood allows quick access for :
 - refill water, oil and diesel.
 - check belt and hydraulic filters.
- Easy access to the distributor via a side panel :

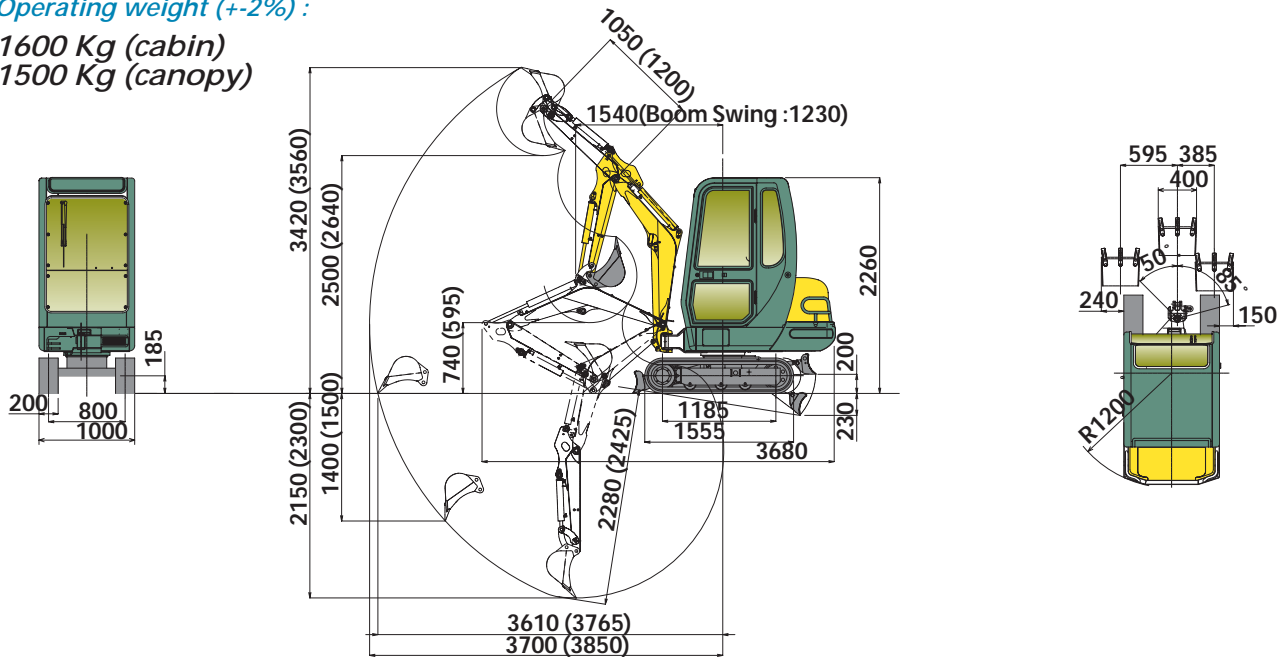


All circuits are equipped with pressure plugs for quick diagnostic tests.

SPECIFICATIONS B15-3

Operating weight (+2%) :

1600 Kg (cabin)
1500 Kg (canopy)

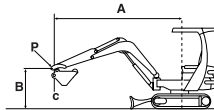


Dimensions between brackets given with long arm.

The manufacturer reserves the right to alter vehicle specifications. Dimensions in mm given with standard Yanmar bucket.

Machine with canopy, rubber crawlers, standard arm, bucket of 38 kg (400 mm).

- A : Reach from swing center line (m)
- B : Load point height (m)
- C : Rated lift capacity (kg). (+4 % with cabin)



Blade on ground								
A	Maxi		2,5 m		2,0 m		Mini	
B								
2,5	*275	*275	-	-	-	-	-	-
2,0	180	*275	*245	*245	-	-	-	-
1,5	160	*275	*280	*280	*295	*295	-	-
1,0	160	*300	250	*365	350	*470	-	-
0	160	*315	230	*455	330	*645	-	-
-1,0	220	*315	235	*350	310	*495	495	*770
-1,5	*270	*270	-	-	-	-	-	-

- Rating over front
- Rating over side 90°

Blade above ground								
A	Maxi		2,5 m		2,0 m		Mini	
B								
2,5	*275	*275	-	-	-	-	-	-
2,0	180	*275	*245	*245	-	-	-	-
1,5	155	215	*280	*280	*295	*295	-	-
1,0	155	210	245	*365	350	*470	-	-
0	160	215	225	310	330	455	-	-
-1,0	215	*315	220	*350	305	460	495	*770
-1,5	*270	*270	-	-	-	-	-	-

The lifted loads listed is RATED LIFT CAPACITY complies with ISO 10567. Smaller values are of either the RATED TIPPING LOAD (75% of the static tipping load) or the RATED HYDRAULIC LIFT CAPACITY (87% of hydraulic capacity). The asterisked value * shows the rated hydraulic lift capacity.

Engine

Yanmar Diesel 3 cylinders.....3TNE68-ENBAC
Rated output (DIN 6270B).....10,3 kw/14 HP/2400 rpm
Displacement.....784 cm3
Max. torque.....45 N.m/1800 rpm

Hydraulic circuit

Circuit capacity.....45 L
Max. pressure.....200 bars
2 variable plunger pumps.....2 x 18,7 l/mn
1 gear pump.....1 x 15,9 l/mn

Performances

Travelling speed.....2,3/4,5 km/h
Swing speed.....10 rpm
Digging force (arm/bucket).....830/1525 kgf
Boom swing.....50°/85°
Ground pressure*0,28/0,29 kg/cm²
Gradeability.....30°
Crawler width.....200 mm
Ground clearance.....185 mm
Blade (Width x Height).....1000 x 235 mm
* canopy / cabin

Various data

Fuel tank.....25 L
Cooling system.....3,7 L
Transport dimensions.....3680 x 1000 x 2260 mm
Noise level.....LWA (2000/14/EC).....96 dBA
LPA (89/514/EEC)* 78/82 dbA
* canopy / cabin

PTO	Max theoretical data	
	Max. pressure	At 2400 rpm
	0-175 bars	34,6-25.9 L/mn
	0-175 bars	34,6-25.9 L/mn

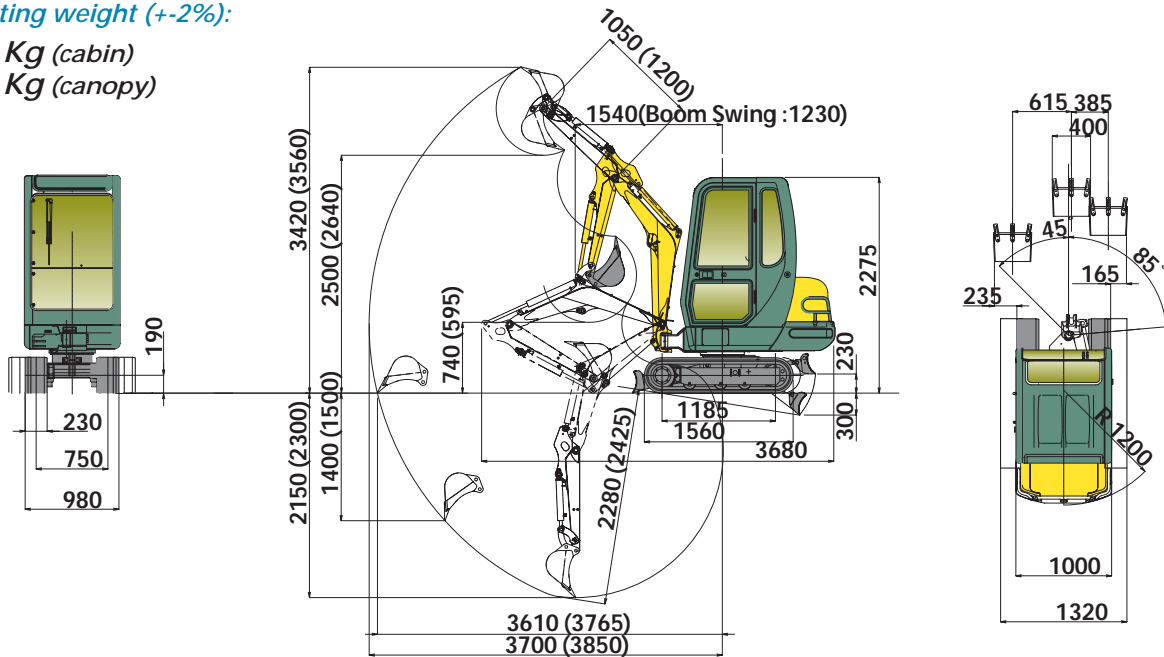


The flow is lower when the pressure is bigger

SPECIFICATIONS B15-3EX

Operating weight (+2%):

1750 Kg (cabin)
1650 Kg (canopy)



Dimensions between brackets given with long arm.

The manufacturer reserves the right to alter vehicle specifications. Dimensions in mm given with standard Yanmar bucket

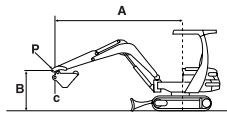
Machine with canopy, rubber crawlers, standard arm, bucket of 38 kg (400 mm).

A : Reach from swing center line (m)

B : Load point height (m)

C : Rated lift capacity (kg). (+ 4% with cabin)

N : retracted undercarriage. W : extended undercarriage.



Engine

Yanmar Diesel 3 cylinders.....3TNE68-ENBAC
Rated output (DIN 6270B)10,3 kw/14 HP/2400 rpm
Displacement.....784 cm3
Max. torque.....45 N.m./1800 rpm

Hydraulic circuit

Circuit capacity.....45 l
Max. pressure.....200 bars
2 variable plunger pumps.....2 x 18,7 l/mn
1 gear pump.....1 x 15,9 l/mn

Performances

Travelling speed.....2,3/4,5 km/h
Swing speed.....10 rpm
Digging force (arm/bucket).....830/1525 kgf
Boom swing.....45°/85°
Ground pressure*0,30/0,32 kg/cm²
Gradeability.....30°
Crawler width.....230 mm
Ground clearance.....190 mm
Blade (Width x Height).....1000/1320 x 223 mm
* canopy/cabin

Various data

Fuel tank.....25 L
Cooling system.....3,7 L
Transport dimensions.....3680 x 1000/1320 x 2275 mm
Noise level
LWA (2000/14/EC).....96 dBA
LPA (89/514/EEC)*78/82 dBA
* Canopy/Cabin

PTO		Max theoretical data	
		Max. pressure	At 2400 rpm
		0-175 bars	34,6-25,9 L/mn
		0-175 bars	34,6-25,9 L/mn



The flow is lower when the pressure is bigger

Blade on ground												
A	Maxi			2,5 m			2,0 m			Mini		
B	N	W		N	W		N	W		N	W	
2,5	*295	*295	*295	-	-	-	-	-	-	-	-	-
2,0	190	*295	*295	*260	*260	*260	-	-	-	-	-	-
1,5	180	*305	*305	*300	*300	*300	*315	*315	*315	-	-	-
1,0	180	*305	*305	265	*380	*380	365	*500	*500	-	-	-
0	180	250	*325	250	370	*470	350	495	*660	-	-	-
-1,0	220	260	*325	235	*365	*365	310	*510	*510	500	*790	*790
-1,5	*290	*290	*290	-	-	-	-	-	-	-	-	-

Rating over front

Rating over side 90°

Blade above ground												
A	Maxi			2,5 m			2,0 m			Mini		
B	N	W		N	W		N	W		N	W	
2,5	*295	*295	*295	-	-	-	-	-	-	-	-	-
2,0	190	*295	*295	*260	*260	*260	-	-	-	-	-	-
1,5	180	*305	*305	*300	*300	*300	*315	*315	*315	-	-	-
1,0	180	*305	*305	265	*380	*380	365	*500	*500	-	-	-
0	180	250	240	250	370	330	350	495	460	-	-	-
-1,0	220	260	*325	235	*365	*365	310	*510	*510	500	*790	*790
-1,5	*290	*290	*290	-	-	-	-	-	-	-	-	-

The lifted loads listed is RATED LIFT CAPACITY complies with ISO 10567.
Smaller values are of either the RATED TIPPING LOAD (75% of the static tipping load) or the RATED HYDRAULIC LIFT CAPACITY (87% of hydraulic capacity).
The asterisked value * shows the rated hydraulic lift capacity.