



Machines

Single Directional Vibratory Plates 54–117 kilos

AVP 1033/1040/1240/1250/1850



Easy Transport

Effortless to work with

Model **AVP 1033** is the lightest unit in this range and ideally suited for compaction work in very confined spaces, laying of light paving stones and light to medium road repair work (an optional water sprinkler system with 5 liter capacity is available). Garden- and Landscape contractors as well as home owners are using model AVP 1033 in various applications. With the foldable handle and an operating weight of only 54 kg this unit is easy to be transported even in the trunk of a passenger car.

Alternatively we offer the model **AVP 1040** with a working width of 40 cm and an operating weight of 56 kilos – an ideal completion for bigger surfaces.

Model **AVP 1240** : A vibrating plate for universal application with an operating width of 40 cm. This handy and versatile unit is available with Honda petrol engine or alternatively with Yanmar diesel power. The unit has been designed to work in confined spaces on soil as well as on asphalt. The range of application includes light to medium sized patchwork and along obstacles such as curbs or retaining walls (a water sprinkler system with a 10 liter capacity water tank is available as an option).



Laying of paving stones
(vulcan mat as option available)



Convenient handling and transportation with the foldable handle-the unit fits even in the trunk of a passenger car- or on site by using the optional transport wheels.

The **AVP 1240** with Honda petrol engine can be equipped optionally with a **straight handle**. This allows a turning of the machine in confined areas without bumping against the walls with the rear part resp. with the handle. Transport wheels cannot be fitted on this special version.

Model **AVP 1250** is specifically designed for work on bituminous material. It is equipped with a particularly formed base plate to ensure the highest results on black top. Together with an optional water sprinkler system (water tank capacity 10 liter) the AVP 1250 is the number one choice for asphalt contractors.

Model **AVP 1850** represents the ideal all-round compaction plate in this class of single directional plates. The unit is suitable for compaction work in soil, gravel and sand, on paving stones and on black top. A choice of three different engines is available: Honda petrol engine, Hatz diesel engine or Lombardini diesel engine. The guide handle is foldable and can be removed from the machine.

Low Vibration Guide Handle: Our answer to the constant topic of Hand-Arm-Vibration. With the new vibration isolating handle from Ammann (patent applied for) the hand arm vibrations (the expected accelerations ref. DIN ISO EN 5349) are reduced as follows:

		AVP 1240	AVP 1250	AVP 1850
		Honda Petrol	Honda Petrol	Honda Petrol Hatz Diesel
Standard handle	around	8,00 m/s ²	8,00 m/s ²	8,90 m/s ²
Vibration isolated handle	around	2,50 m/s ²	2,00 m/s ²	3,60 m/s ²





Universal Application





You will like our product series of single directional vibratory plates

Here are all the benefits on one page:

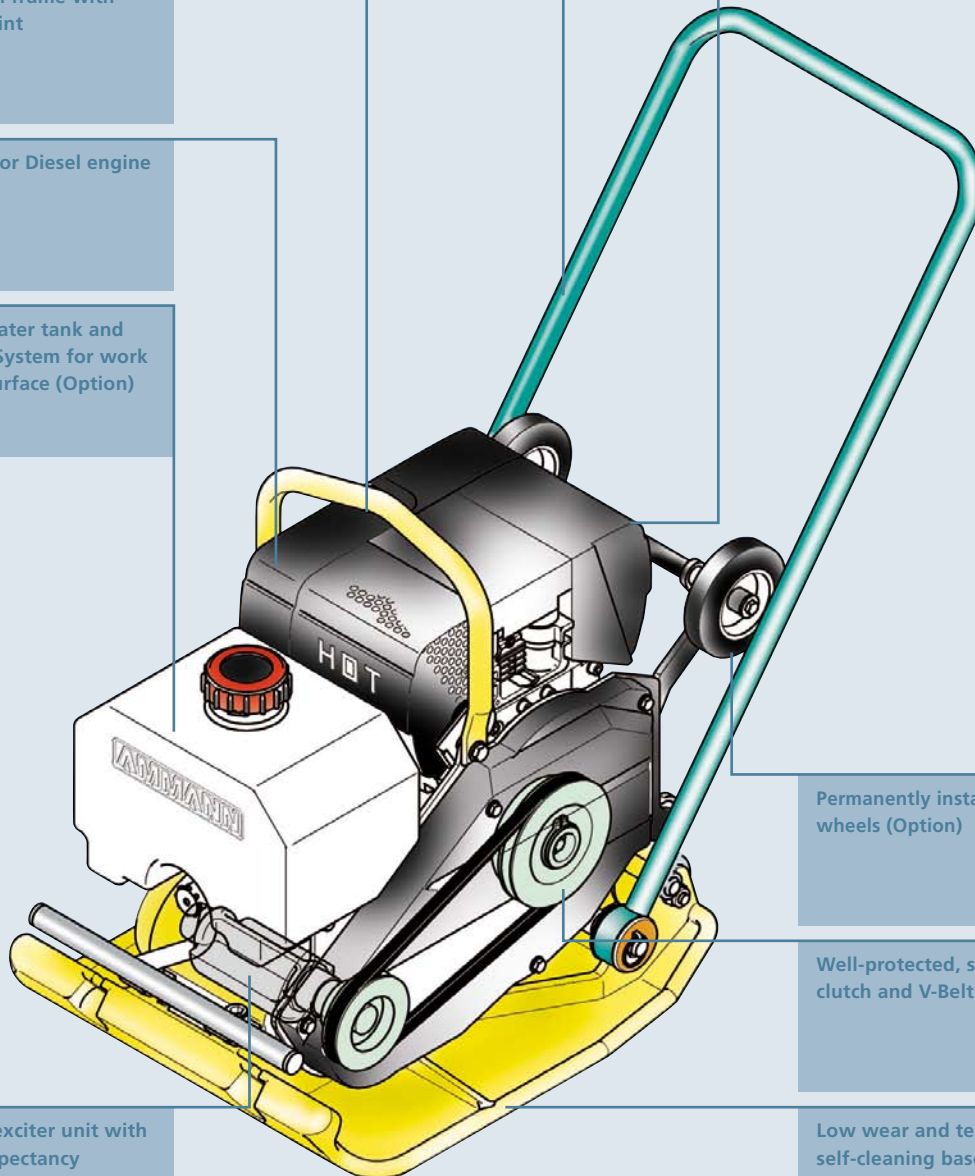
Operator friendly and vibration isolated guide handle. Guide handle is foldable and removable for ease of transportation or compaction work in confined areas

Sturdy protection frame with central lifting point

Powerful Petrol- or Diesel engine

Corrosion free water tank and Water Sprinkler System for work on bituminous surface (Option)

Infinitely variable frequency adjustment



Permanently installed transport wheels (Option)

Well-protected, sturdy centrifugal clutch and V-Belt

Service friendly exciter unit with expanded life expectancy

Low wear and tear and self-cleaning base plate

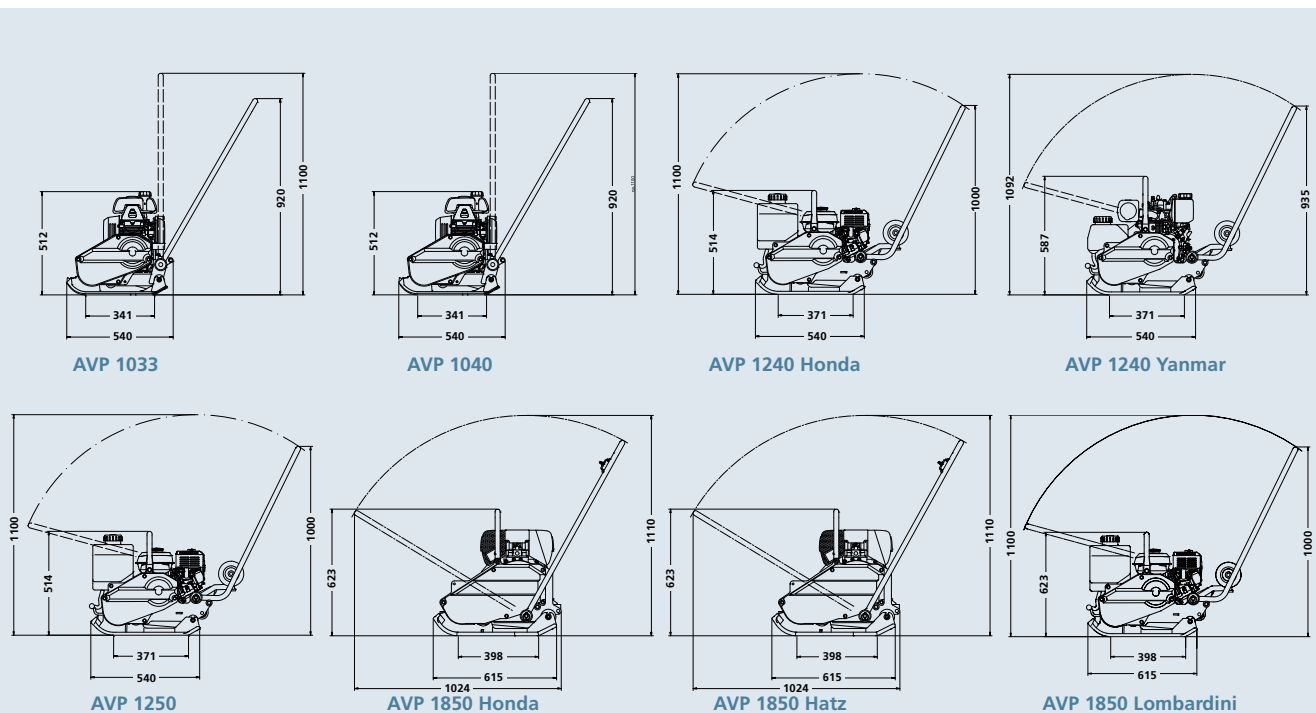


Technical Data

	AVP 1033	AVP 1040	AVP 1240	AVP 1240	AVP 1250	AVP 1850	AVP 1850	AVP 1850	
	Honda	Honda	Honda	Yanmar	Honda	Honda	Hatz	Lombardini	
	Petrol	Petrol	Petrol	Diesel	Petrol	Petrol	Diesel	Diesel	
Operating weight	kg	54	56	70	88	75	100	117	112
Working width	mm	330	400	400	400	500	500	500	500
Engine	Honda	Honda	Honda	Yanmar	Honda	Honda	Hatz	Lombardini	
Model	GX 100	GX 100	GX 120	L 48 AE	GX 120	GX 160	1 B 20	15 LD 225	
Power	PS/kW	3,0/2,2	3,0/2,2	4,0/2,9	4,3/3,2	4,0/2,9	5,0/3,7	4,2/3,1	4,2/3,1
Speed	U/min.	3600	3600	3600	3200	3600	3200	3000	3000
Vibration frequency up to	Hz	100	100	98	98	98	85	85	85
Centrifugal force up to	da N	1050	1050	1200	1200	1200	1800	1800	1800
Drive velocity max.	m/min.	22	22	20	20	20	20	20	20
Gradeability	%	30	30	30	30	30	30	30	30
Max. incline to all sides	°	20	20	20	20	20	20	20	20
Working surface	m ²	0,11	0,136	0,14	0,14	0,18	0,2	0,2	0,2
Specific pressure	da N/cm ²	0,93	0,77	0,86	0,86	0,72	0,9	0,9	0,9
Optional equipment:									
Transport wheels		-	-	x	x	x	x	x	x
Vulcolan mat		-	-	x	x	-	x	x	x
Water sprinkler system		x	x	x	x	x	x	x	x
Capacity of water tank	l	5	5	10	5	10	10	10	10
Low Vibration handle		-	-	x	x	x	x	x	x
Max. compaction depth*	cm	10	10	15	18	13	20	25	25

*depending on ground conditions

Specifications are subject to change due to technical improvements.



Ammann distribution
companies:

Switzerland:

Ammann Schweiz AG
CH-4901 Langenthal
Tel +41 62 916 61 61
Fax +41 62 916 65 40

Germany:

Ammann Verdichtung GmbH
D-53773 Hennef
Tel +49 22 42 880 20
Fax +49 22 42 880 259

Rammax Maschinenbau GmbH

D-72555 Metzingen
Tel +49 71 23 922 30
Fax +49 71 23 922 350

Czech Republic:

Ammann Czech Republic a.s.
CZ-54901 Nové Město nad Metují
Tel. +420 491 476 111
Fax +420 491 470 215

France:

Ammann France SA
F-94046 Créteil/Cedex
Tel +33 1 45 17 08 88
Fax +33 1 45 17 08 90

United Kingdom:

Ammann Equipment Ltd.
GB-Warwickshire, CV37 0TY
Tel +44 1789 414 525
Fax +44 1789 414 495

Poland:

Ammann Polska sp.zo.o.
PL-02-230 Warszawa
Tel +48 22 33 77 900
Fax +48 22 33 77 929

USA:

Ammann America Inc.
US-Ponte Vedra, Florida 32082
Tel +1 904 543 1691
Fax +1 904 543 1781

Ammann manufacturing
companies:

Switzerland:

Ammann Schweiz AG
CH-4901 Langenthal
Tel +41 62 916 61 61
Fax +41 62 916 64 03

Germany:

Ammann Verdichtung GmbH
D-53773 Hennef
Tel +49 22 42 880 20
Fax +49 22 42 880 259

Rammax Maschinenbau GmbH

D-72555 Metzingen
Tel +49 71 23 922 30
Fax +49 71 23 922 350

Czech Republic:

Ammann Czech Republic a.s.
CZ-54901 Nové Město nad Metují
Tel. +420 491 476 111
Fax +420 491 470 215

