

Multipurpose tool - 3 601 B30 060 - GOP 250 CE

www.powertools-aftersaleservice.com



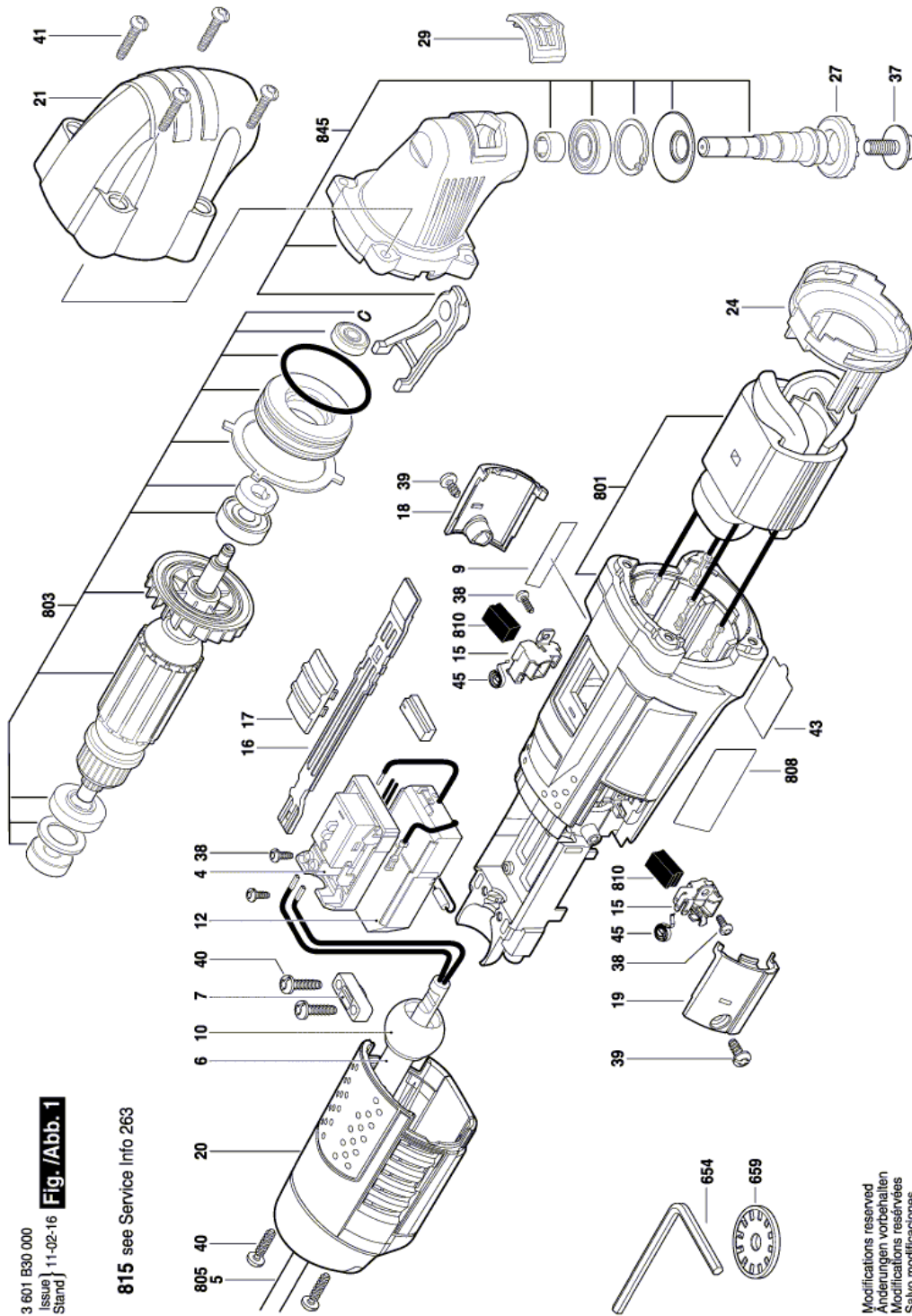
BOSCH

Item	Part Number	Description	Illustration	Quantity	Price Group
	4 2 609 125 028	Electronics Module	1	1	
	5 2 609 120 275	Power supply cord	1	1	
	6 2 600 703 011	Grommet	1	1	
	7 2 601 035 001	Cable Clip	1	1	
	9 2 609 132 899	Manufacturer's nameplate	1	1	
	10 2 609 100 929	Ball Joint	1	1	
	12 1 607 233 438	Speed governor	1	1	
	15 1 619 P02 808	Brush Holder	1	2	
	16 2 609 100 914	Switch Slide	1	1	
	17 2 609 100 915	Switch Button	1	1	
	18 2 609 100 911	Brush-Cover	1	1	
	19 2 609 100 912	Brush-Cover	1	1	
	20 2 609 100 909	Housing Cover	1	1	
	21 2 609 100 910	Cap	1	1	
	24 2 609 100 928	Air-Deflector Ring	1	1	
	27 2 609 110 769	Toolholder	1	1	
	29 2 609 170 083	Sealing cap	1	1	
	37 2 609 110 797	Screw	1	1	
	38 2 603 490 016	Torx Oval-Head Screw	1	4	
	39 2 603 490 020	Torx Oval-Head Screw	1	2	
	40 2 603 490 022	Torx Oval-Head Screw	1	4	
	41 2 603 490 024	Lens Head Screw	1	4	
	43 2 609 132 973	Label	1	1	
	45 1 619 P02 809	Spiral Spring	1	2	
	654 2 609 110 831	Key	1	1	
	659 2 609 110 788	Adapter	1	1	
	801 2 609 199 346	Housing Assembly	1	1	
	803 2 609 199 345	Armature set	1	1	
	808 2 609 133 014	Nameplate	1	1	
	810 1 619 P02 870	Carbon-Brush Set	1	1	
	810 1 607 000 489	Carbon-Brush Set	1	1	
	815 2 609 199 424	Brush-Cover	1	1	
	845 2 609 199 335	Gear Box	1	1	

Product information Multipurpose tool - 3 601 B30 060 - GOP 250 CE

Product No	3 601 B30 060
Description	294.454; Multipurpose tool
DIN-Text	
ID_Text_Ext	0
Trading_Description	GOP 250 CE
Voltage_1	110 V
ID_Country_Product	GB

Illustration - Type E



Information subject to change without further notice.