

SCISSOR LIFT XG0807ACW

Comply with CE

Standard configuration

- Withdrawable extension platform with position lock
- Lanyard connection point
- Self-locking half-height revolving door and folding guardrail
- Front-wheel drive
- Travel driven by AC motor
- Full proportion travel and lift control
- 25 % gradeability
- DC maintenance-free battery/Lithium battery
- Lubrication-free bearing
- Rotating-type component tray
- Brake release for towing
- Emergency stop device of platform and ground control
- Anti-slipping metal platform
- Weighing alarm
- Lowering alarm
- 3-second pause for lowering
- Multi-axis tilt sensor
- Multi-disc brake
- Boom maintenance lock
- Auto brake system
- Pothole protection device
- Random fault diagnosis system
- Electric horn
- High-altitude automatic low speed protection
- Charging protection system
- Detachable superstructure controller
- Intelligent charger
- Hourmeter
- Longitudinal forklift transport hole
- Flashing indicator light
- Humanized control system
- Platform control with battery level display
- Manual platform lowering valve
- Tilt sensor and audio alarm

Optional configuration

- Platform searchlight
- Platform external power supply
- Air pipe
- Platform fire extinguisher
- Platform anti-collision device
- Platform foot pedal
- Boom end cover
- PCU protective support



Working height
7.8 meters



Lift capacity
230Kg



Electric
power



Scissor Lift-Electric

Item	Metric
Dimension	
Overall length (without ladder/outriggers)	1900(1680)mm
Overall width	810mm
Overall height (platform folded)	2160(1830)mm
Platform length	1670mm
Platform width	740mm
Subplatform extension length	900mm
Guardrail height	1118mm
Toeboard height	150mm
Wheelbase	1360mm
Min. ground clearance (pothole protection deployed/undeployed)	20mm/71mm

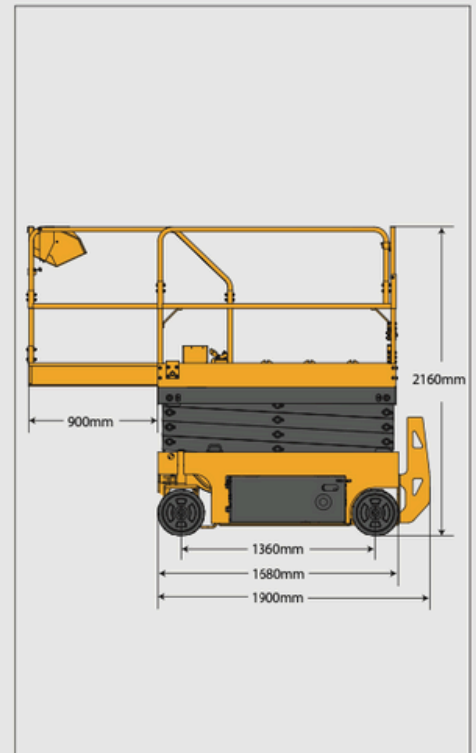
Performance	
Max. working height (indoor/outdoor)	7.8m/7.8m
Max. platform height (indoor/outdoor)	5.8m/5.8m
Min. platform height	1.05m
Max. driving height	5.8m
Rated load	230kg
Subplatform rated load	115kg
Max. number of occupants (indoor/outdoor)	2/1
Max. driving speed (stowed)	4.5km/h
Max. driving speed (raised)	0.8km/h
Max. gradeability	25%
Min. turning radius (inside)	0 m
Min. turning radius (outside)	1.75 m
Platform raising time	15-25 s
Platform lowering time	25-35 s
Max. working slope (side to side/front and rear)	1.5°/3°

Power source	Maintenance-free lead-acid	Lithium
Battery voltage	24V	25.76V
Battery capacity (3HR)	200Ah	150Ah
Battery charger	24V/30A	24V/36 A
Traveling motor	0.5/24 kW/V	
Lifting motor	3.3/24 kW/V	
Hydraulic tank capacity	8 L	

Tire	
Tire size	323mm×100mm
Tire ground pressure	6.23 kg/cm ²
Driving wheels	2
Braking wheels	2
Steering wheels	2

Weight	
Total weight	1580kg

Stowed



Trans

